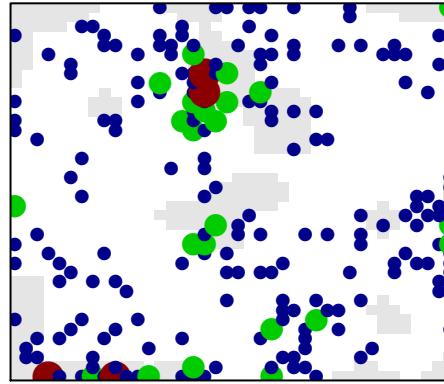
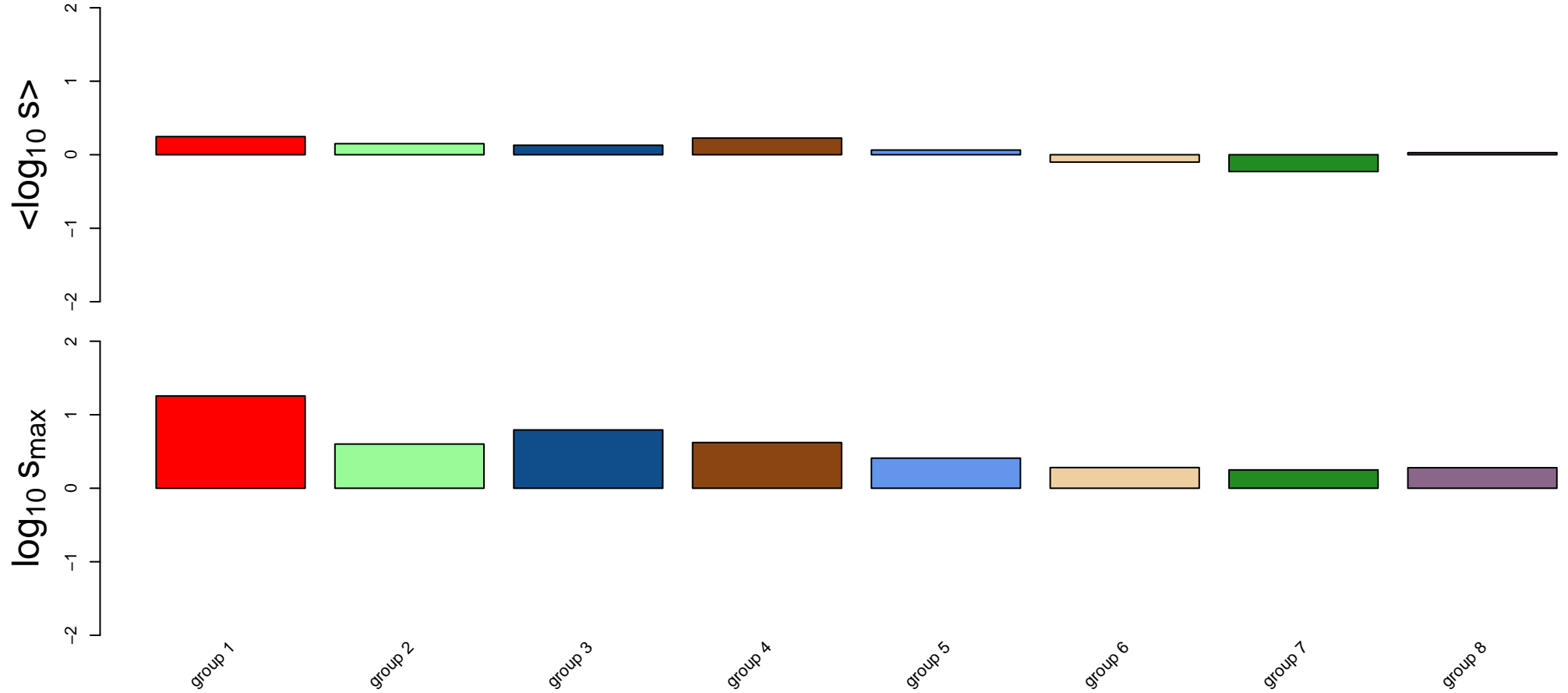
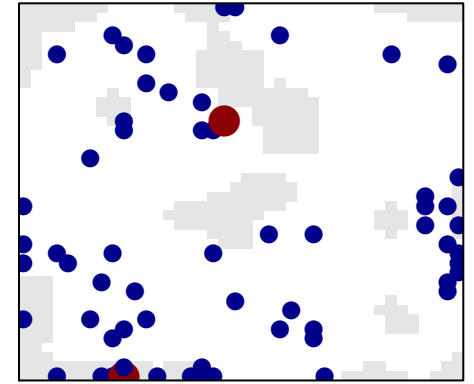


# TNF signaling pathway

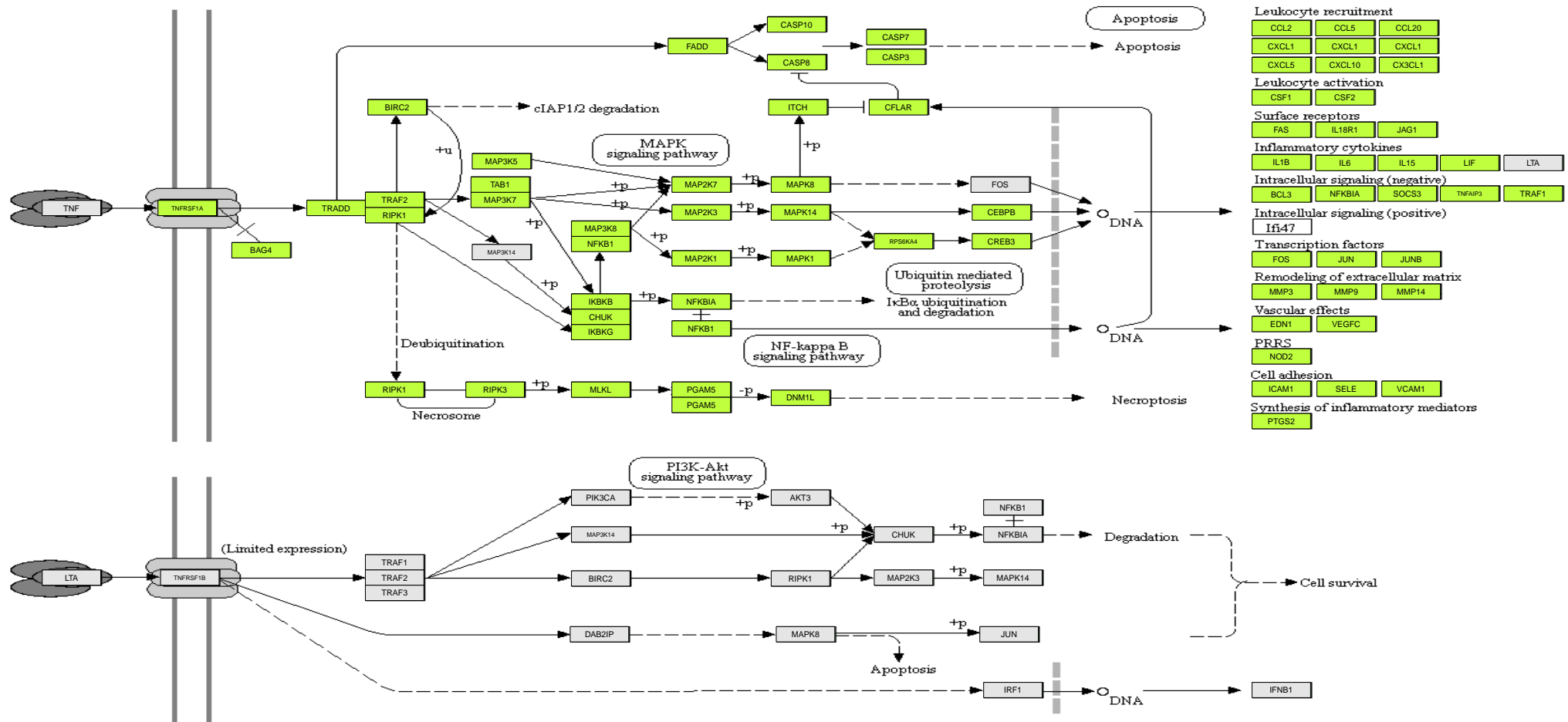
all genes



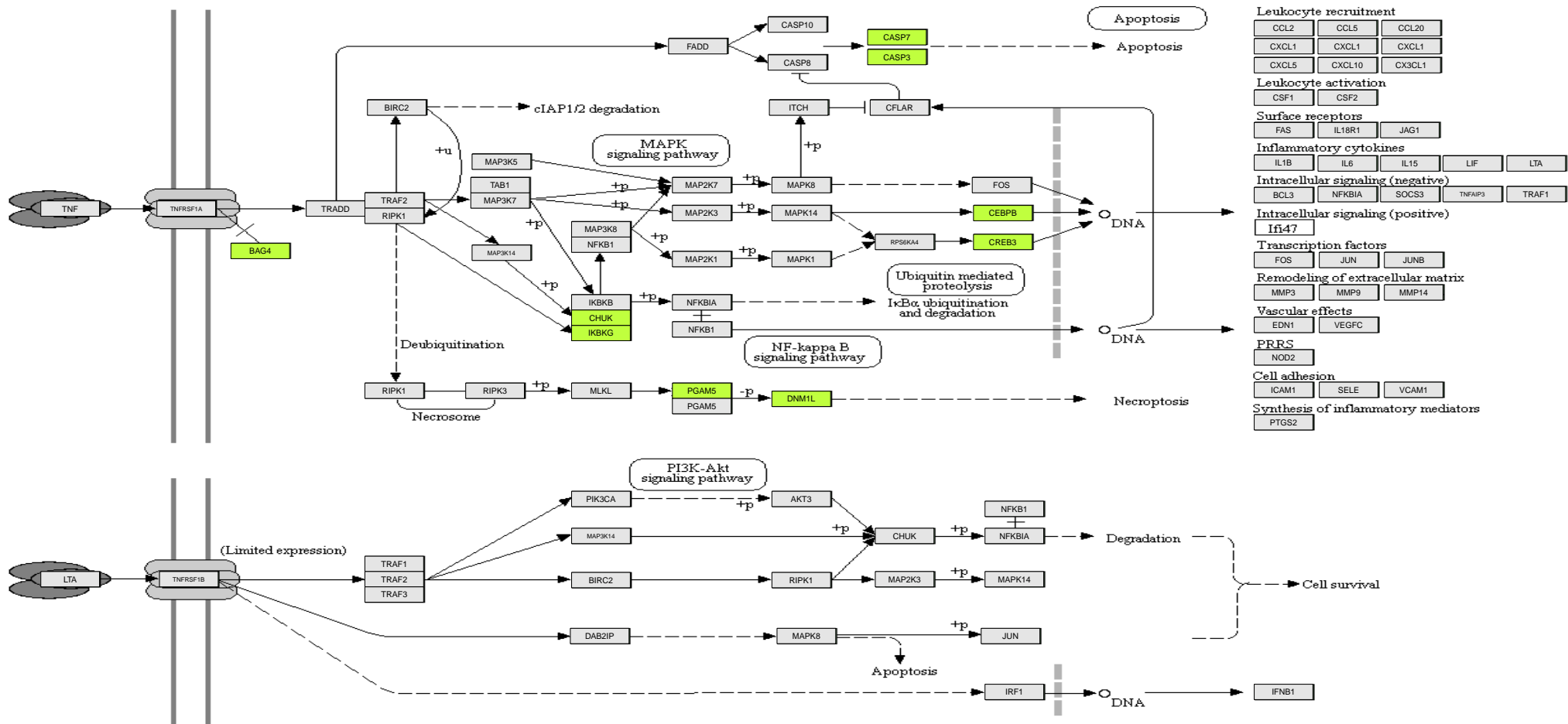
sink node genes



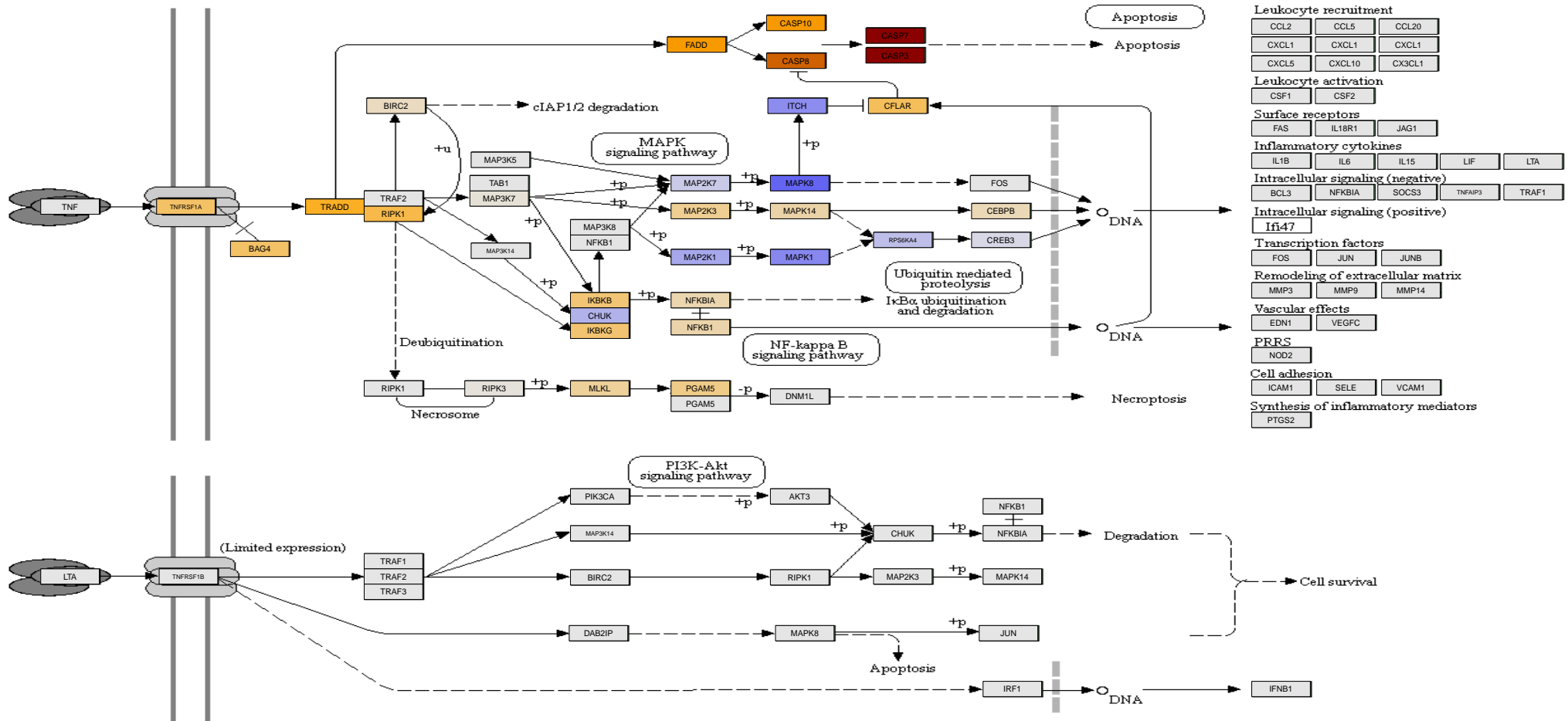
TNF\_signaling\_pathway  
genes with data



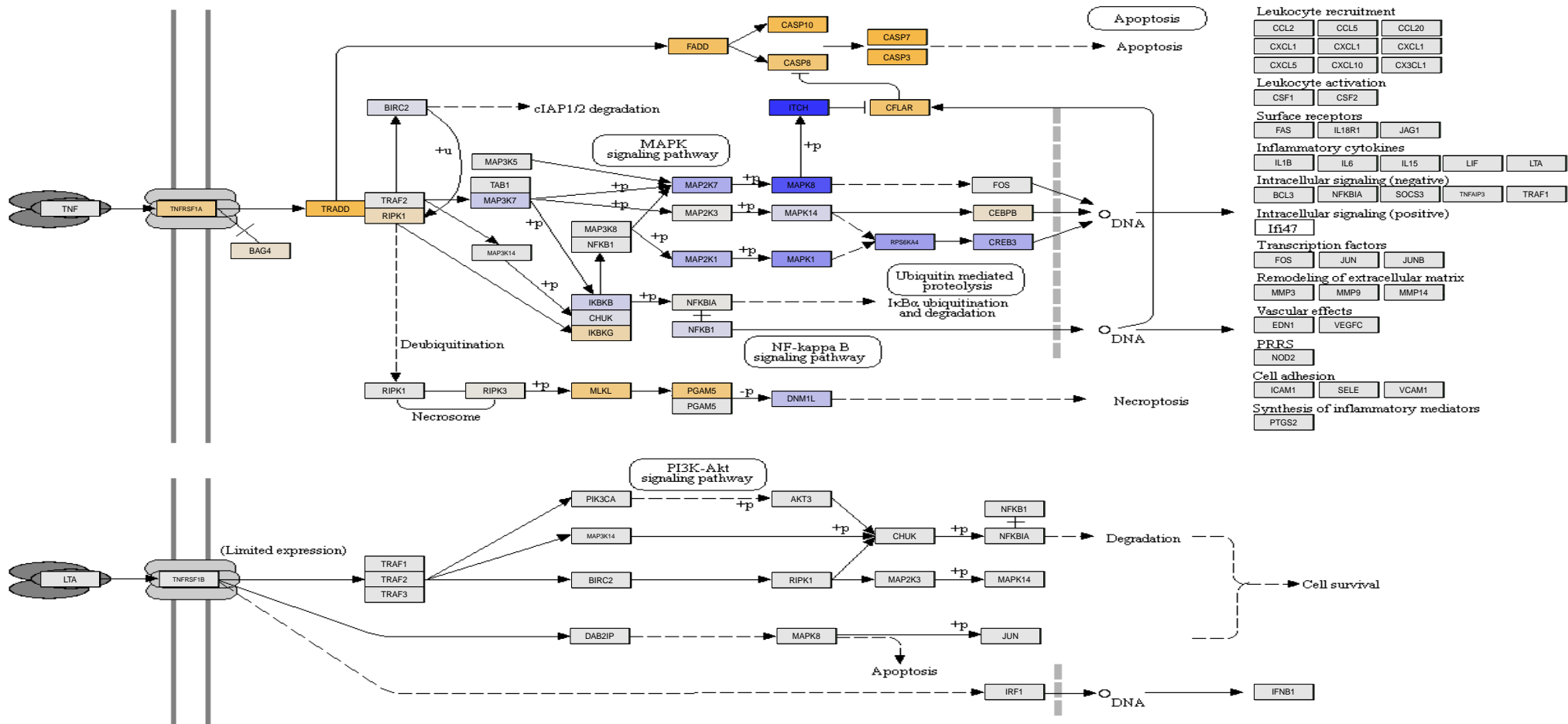
TNF\_signaling\_pathway  
sink nodes



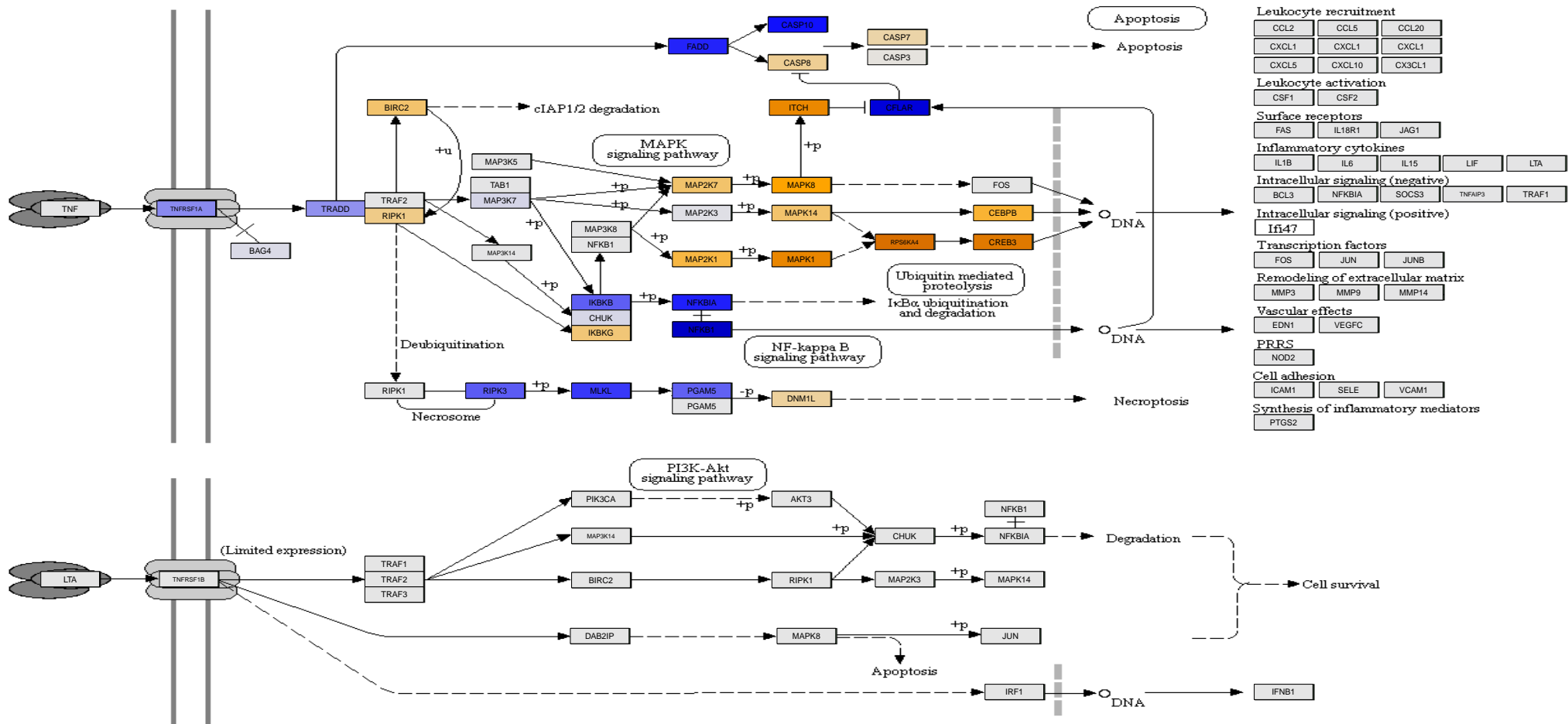
TNF\_signaling\_pathway  
group 1



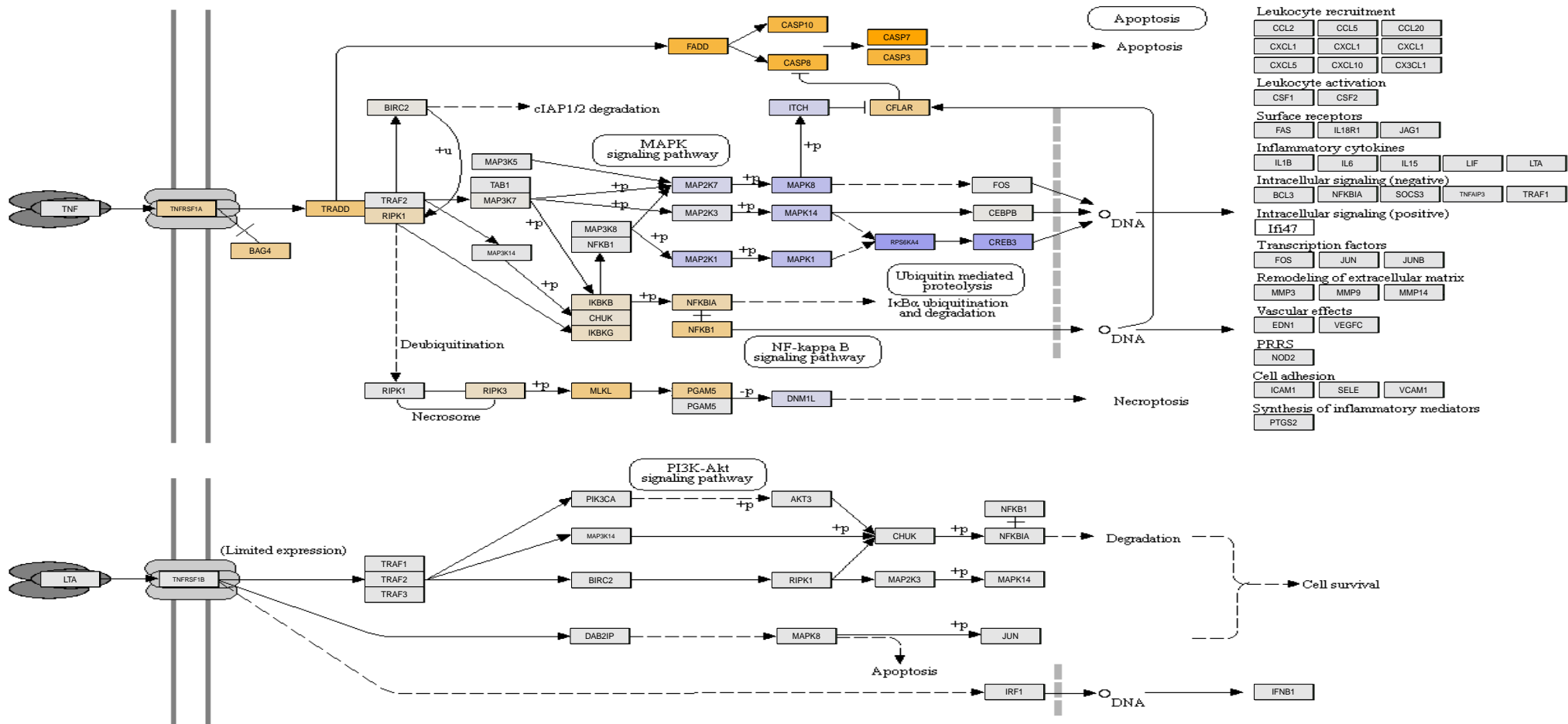
TNF\_signaling\_pathway group 2



TNF\_signaling\_pathway group 3



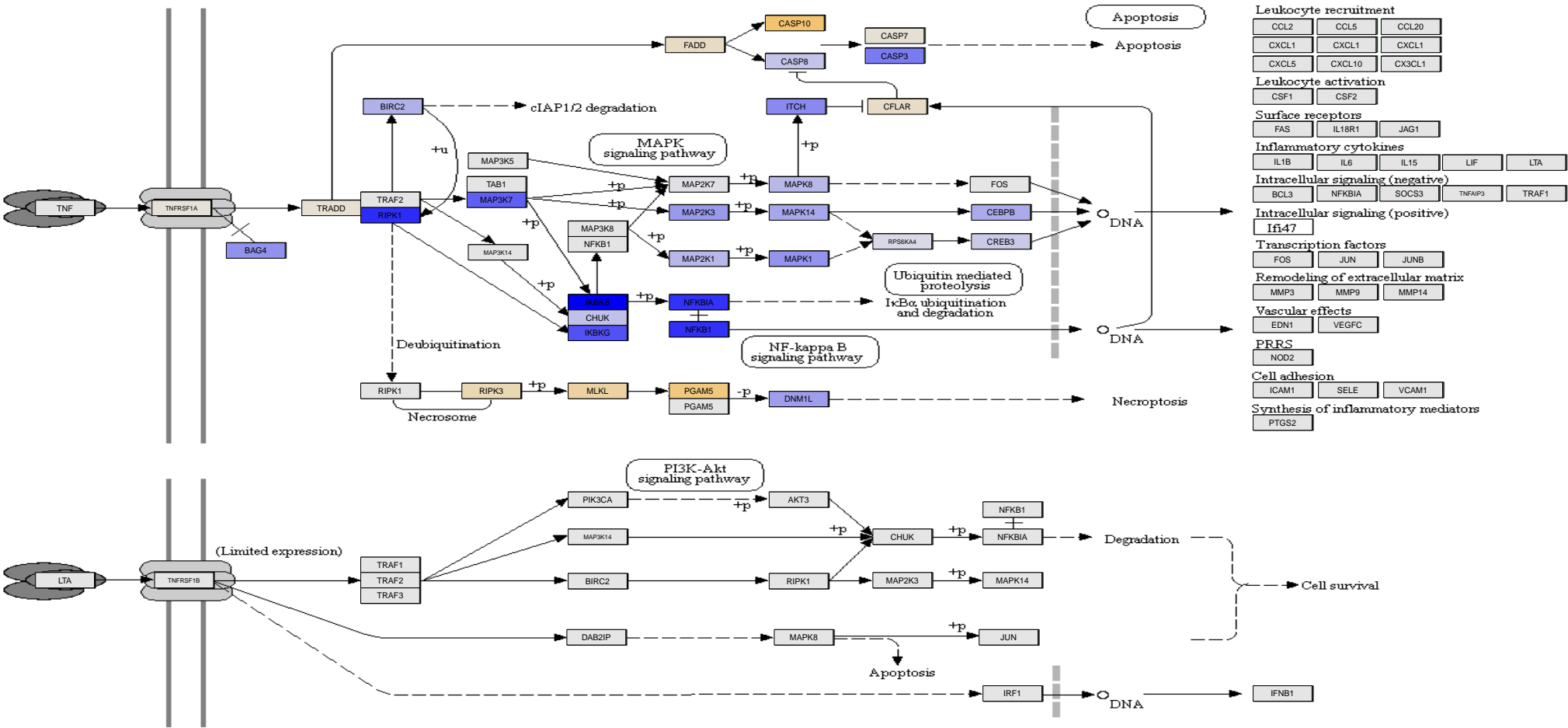
TNF\_signaling\_pathway group 4



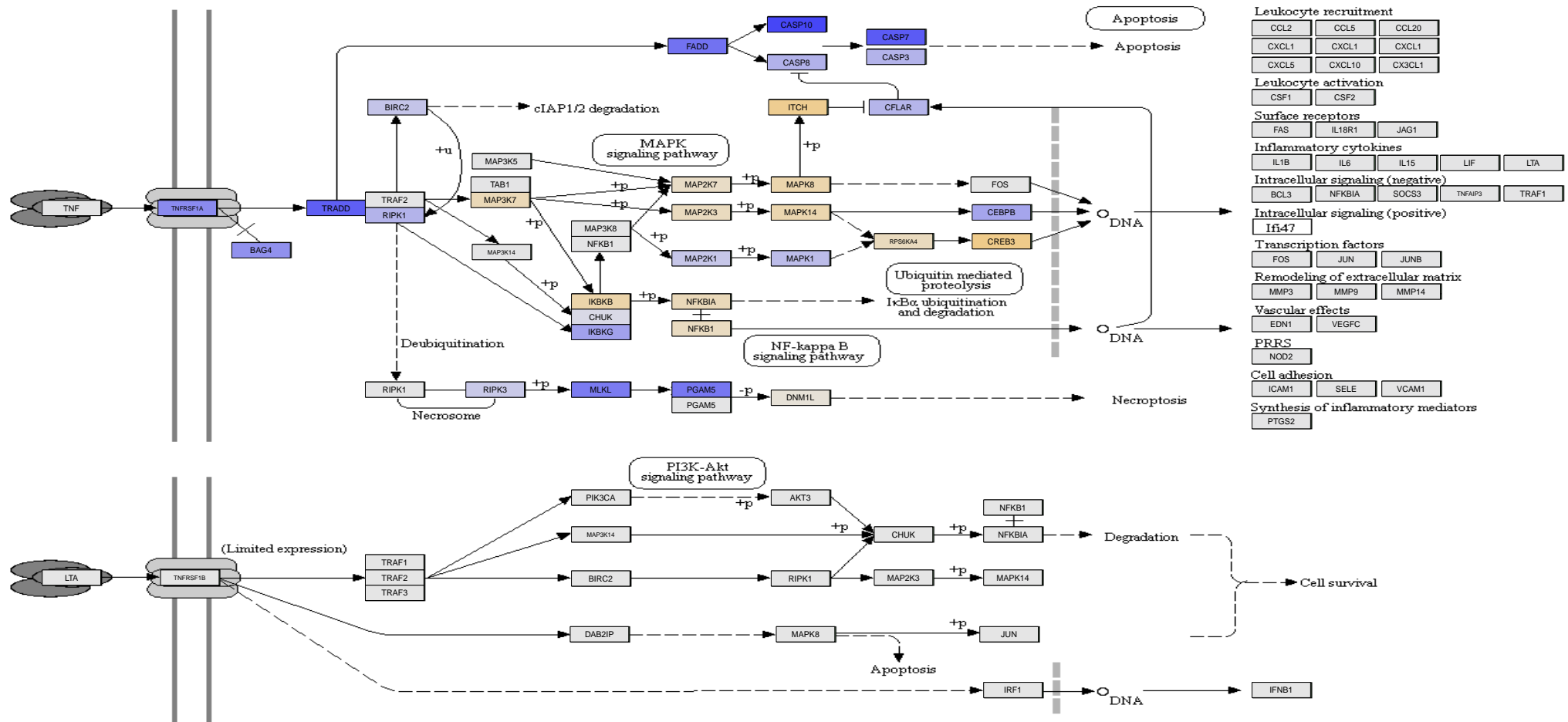




TNF\_signaling\_pathway group 6



TNF\_signaling\_pathway  
group 7



TNF\_signaling\_pathway group 8

